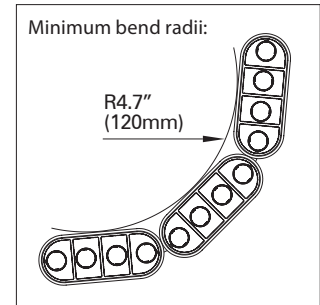
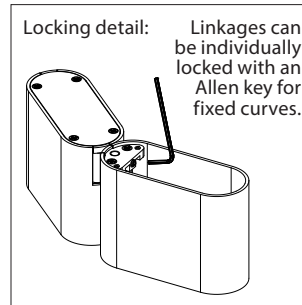
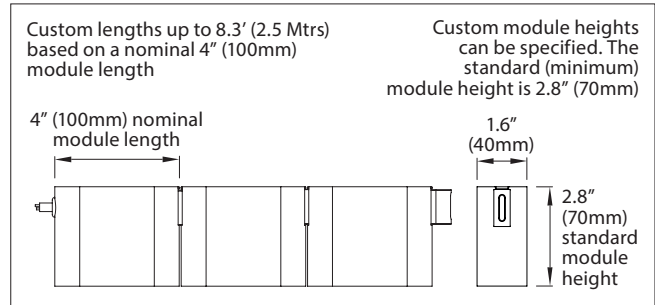
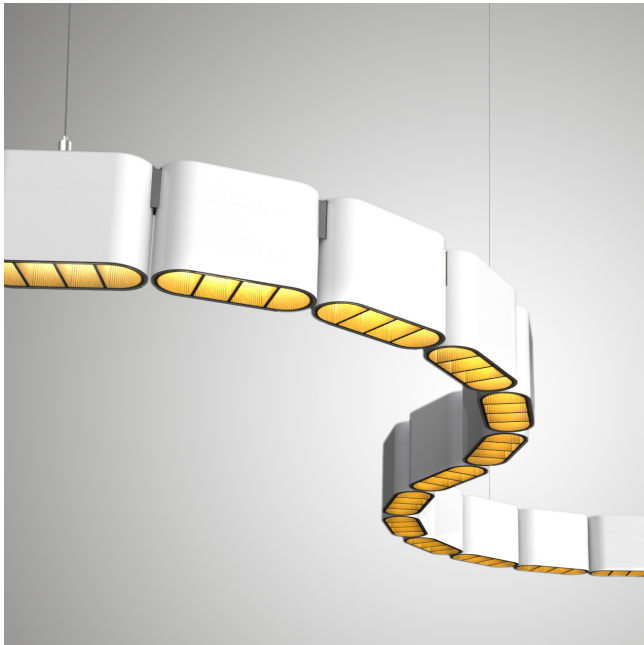


Centura 40 IP20 Class 2

Flexible modular LED pendant lighting system

Down light - 2 or 4 x high power LEDs with lenses per module



Modular flexible LED pendant lighting system IP20 - Down light

Up to 1,060 Lumens per ft (Up to 3,500 Lumens per Mtr)

Product description:

Centura has an articulated linkage-joint system between modules allowing for flexibility along the major axis. This innovative modular design offers the flexibility to follow curved surfaces, encircle columns and domes, and to make irregular shaped pendants.

Each module:

2 or 4 x Cree XP-E, XP-G or Osram Oslon LEDs with Ledil Tina2 lenses.

Up to 5 Watts per 4" (100mm) module

30 Volt - 48 Volt DC supply depending on application using integral LV constant current drivers

Dimming options available: 1 - 10V, DMX and DALI

Various LED colour temperature and CRI options available

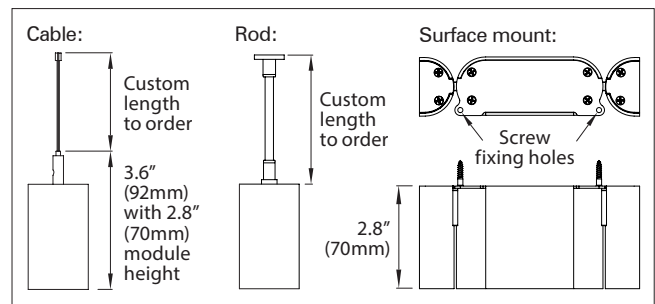
Body - Satin black, white or any RAL powder coat or anodized finish

Decorative anti-glare louvred snoots with custom powder coat or anodized finishes to order. The louvre finish can differ from the body.

Custom lengths based on a 4" (100mm) module up to 8.3' (2.5 Mtrs)

Rod, cable or surface mount options. Custom solutions are available

* Colour mixing lens not available with Centura 40 IP20. See Centura 60 IP20 data sheets for versions with colour-blending Gaggione lens.



LED / lens matrix	CREE XP-E		CREE XP-G	
	Tina	Heidi	Tina	Heidi
Diffused spot (D)	12°	9°	17°	12°
Real spot (RS)	11°	8°	15°	9°
Medium (M)	31°	28°	30°	28°
Wide (W)	50°	32°	57°	31°
Wide (WW)	55°	44°	58°	44°
Wide (WWW)	57°	N/A	60°	N/A
Elliptical (O)	32+14°	48+10°	35+16°	47+14°

Product Code	No. of LEDs per foot	IP	Length (mm)	LED Type	CRI	Colour Temp. (K)	Optics	Mounting Type	Cut angle(°)	Finish
RAD CENTURA 40 FLEXIBLE DOWN IP20	12 x LEDs per foot: 1" (25mm) pitch	20	4" (100mm) to 8.3' (2,500mm)	Cree: XP-E XP-G XQ-E	Cree: 80 90	27=2,700k 30=3,000k 35=3,500k 40=4,000k 45=4,500k 50=5,000k	Ledil Tina2: N, M, W, E, Diffused spot (See LED / lens matrix)	Steel Cable	0° - 75° Available in 5 degree increments	Body: Any powder coat or anodized finish Louvre: Any powder coat or anodized finish
	6 x LEDs per foot: 2" (50mm) pitch		Available in 4" (100mm) increments	Osram: Oslon	Osram: 95	* RGB * RGBW * RGBA * Dynamic white		Fixed rod Surface mount		